

APPLIED GMC
47626 KATO RD.
FREMONT CA 94538
800-752-7502

HIDDEN LATCH KIT INSTRUCTIONS

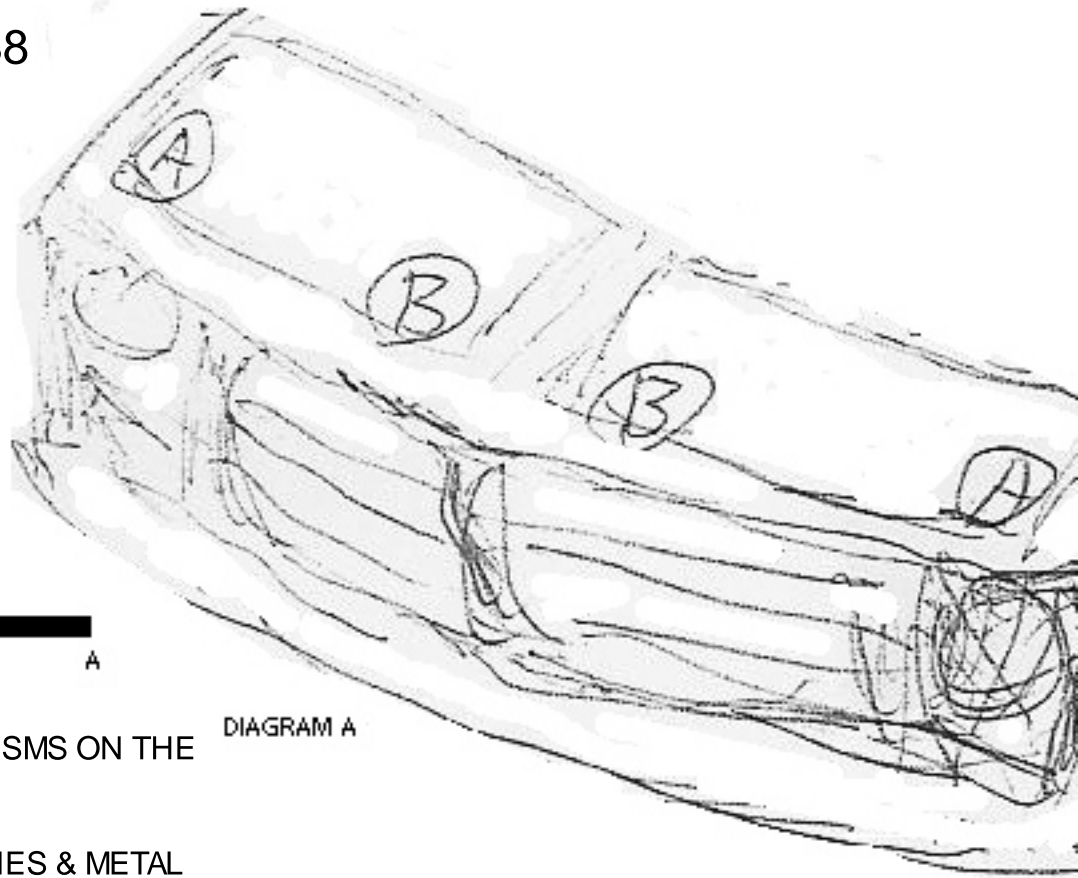


DIAGRAM A

1. INSTALL LATCH MECHANISMS ON THE RODS AT A & B.

2. REMOVE THE OLD LATCHES & METAL BACKING PLATES BY DRILLING OUT THE POP RIVET FASTENERS

3. PLACE THE A LATCH ASSEMBLY ABOVE THE HEADLIGHT & FASTEN WITH POP RIVETS. NOW ATTACH THE B ASSEMBLY. TIGHTEN SCREWS ON THE ROD USING BLUE LOC-TITE.

4. ATTACH THE SHORT CHANNEL W. SLOTTED HOLE ONTO THE ENGINE HATCH COVER USING THE PROVIDED FASTENERS. See diagram B.

5. ADJUST THE SHORT CHANNEL TO CATCH.

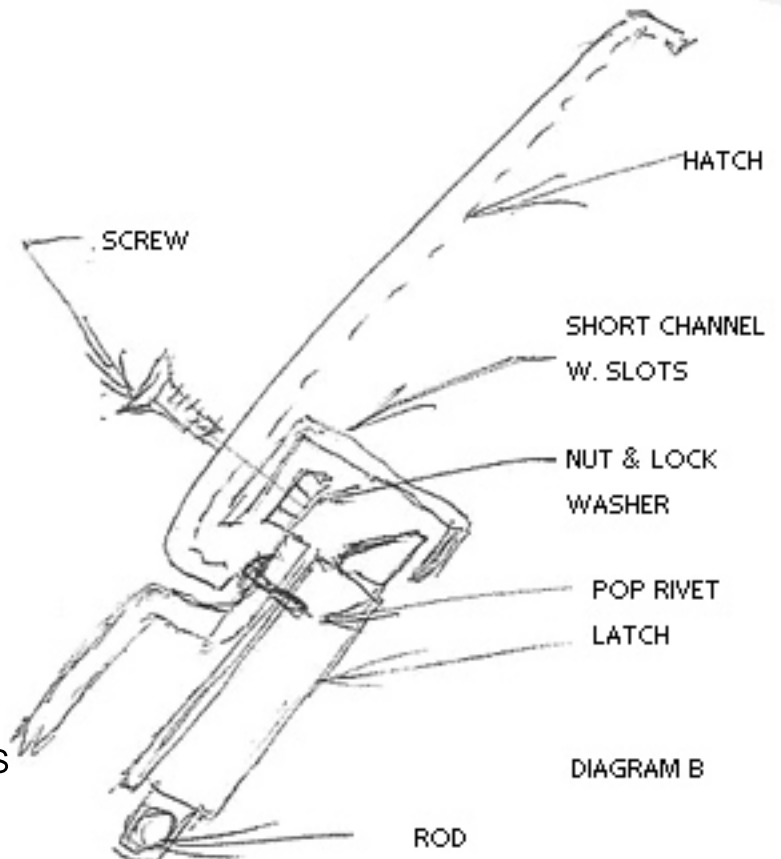


DIAGRAM B

PAINT PREPARATION

COUNTER SINK THE SCREWS AS MUCH AS POSSIBLE. SAND AROUND THE HEAD OF SCREW FORMING A GRADUAL DISH. FILL WITH FIBERGLASS RESIN, SAND, AND FILL WITH BONDO. GRADUALLY FILLING THE HOLE WILL HELP TO AVOID THE RAISING OF EDGES AFTER PAINTING.