

Figure 1

IMPORTANT NOTE: A Safety Latch is provided with all awnings. The Travel Latch provides security when traveling in high wind areas. Install Travel Latch according to the instructions included with the Travel Latch.

TOOLS REQUIRED:

- | | | |
|---------------------------|---------------------------|--|
| Step ladder | Electric drill | 9/64 or #26 and 13/64 or #7 drill bits |
| Pencil | 25' measuring tape | #2 Phillips screwdriver |
| Wrenches: 2-7/16", 1-1/2" | Pliers or 3/8" nut driver | Blind rivet gun |

Step 1. ASSEMBLE ARMS

Unpack and assemble Bars & Tubes as shown in **Fig. 1**.

Step 2. REPOSITION RUNNING LIGHT

The factory installed light lies in the path of the awning roller and must be moved. Remove rear top running light from mounting and pull up extra wire for re-installing above the awning rail after Step 3. (see **Fig. 2**).

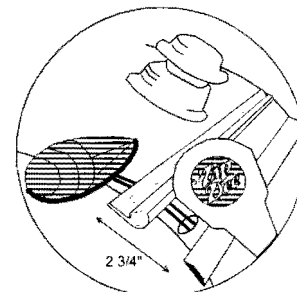


Fig. 2

Step 3. DEFINE AWNING AREA

Fix the position of the rear arm first. Mark the rear plumb reference line 1/2" from the rear edge of the compartment as shown in **Fig. 3**. Then **measure forward the Exact length of the awning ordered** and mark the front plumb line.

Step 4. Position awning rail

Place rail with the top edge 2 3/4" above the top molding as shown in **Fig. 4a & b**. Rail should be centered between the two plumb lines. Be sure that running light wire is flat under awning rail. Attach rail with appropriate

fastens every 6" to 8".

Step 5. MOUNT CLAMP AND HINGE CASTINGS: ATTACH MAIN ARMS

A) Attach front Head casting to front main arm. Attach Clamp Casting assembly on to head (wheel screws onto threaded stud of clamp and fit into chaffered seat of head. Hold assembled arm firmly against the coach so that the clamp is butted against the bottom of the drip molding as shown in **Fig. 4a & 4b** and so that the hinge and clamp are aligned on the plum line as shown in **Fig. 3**. Mark location of clamp and hinge. Remove the clamp and hinge from the hardware and mount as shown. Repeat step for rear arm.

B) Lay Main Arms outward from coach at each end and bolt to Hinges with 1/4 x 1 5/8" bolts and cap nuts.

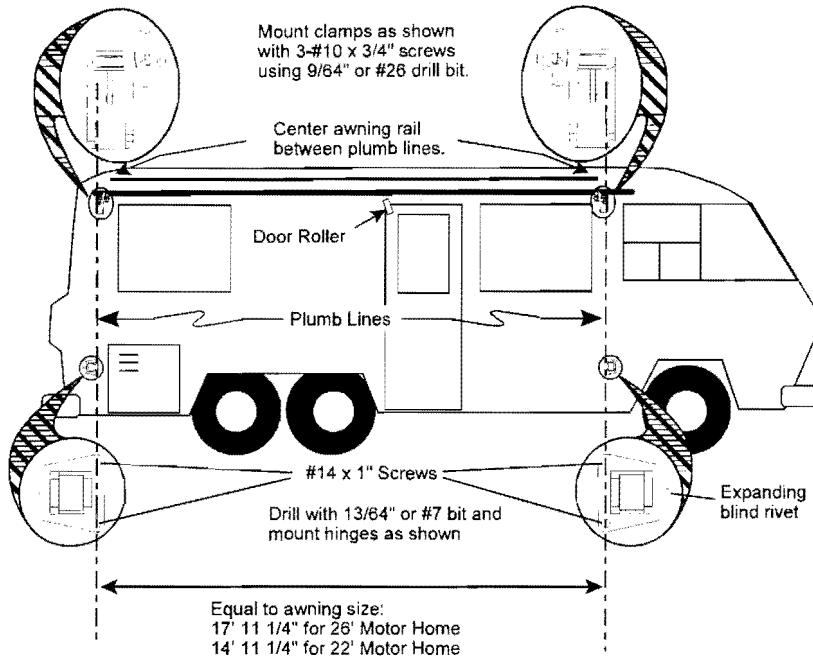


Fig. 3

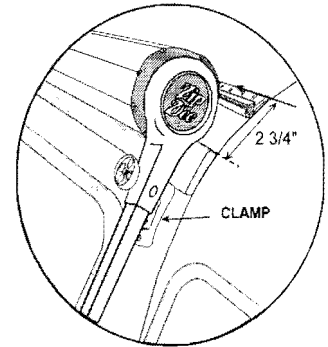


Fig. 4a

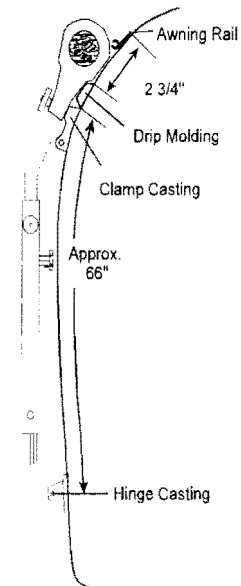


Fig. 4b

Step 6. CONNECT AWNING ROLLER ASSEMBLY TO ARMS

Carefully remove roller assembly from the shipping tube and place it on the ground between the support arms and parallel to the coach (with the spring end at the rear) so that the ends of the roller are close to the Head Castings.

Remove the Head Castings from arms and attach to shafts at each end of the roller assembly (Note front and rear positions) using the black 10-32 x 1-1/2" Screws and Nylon Insert Lock Nuts. (**Fig. 4**)

Line up the hollow of the Head Castings with the arm bars. Then lift the Roller assembly and reposition it, sliding the Head Castings onto the main arm bars. (**Fig. 6c**) Bolt the Head Castings to the bars with 1/4-20 x 1-3/8" Screw, Lock Washer and Cap Nut. **Be sure the Head Castings are completely inserted onto the Bars and secured (Fig. 4).**

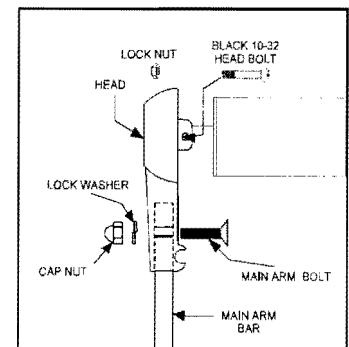


Fig. 4

Step 7. CONNECT AWNING ROLLER ASSEMBLY TO HARDWARE AND AWNING RAIL

The roller assembly is attached to the awning rail by using the Flex Key assembly (**Fig. 6A**) to join the case to the rail rather than sliding the entire roller into the channel. Flare and file (**Fig. 6B**) the entry end of the awning rail to prevent damage to the Flex Key.

Remove screw holding Flex Key Assembly to rest of case using Phillips screw driver (**Fig. 6A**). Remove Flex Key Assembly from case by sliding toward one end of the case.

Lift the awning assembly, supported by main arms to vehicle (**Fig. 6C**).

Insert the bead of the Flex Key into the channel of the awning rail and the channel of the Flex Key Slat onto the end bead of the awning case at the same time (**Fig. 6D**), then slide in until the Key is even with the case. Hint: Holding the case at a slight angle to the Flex Key will minimize binding and make it easier to insert Key.

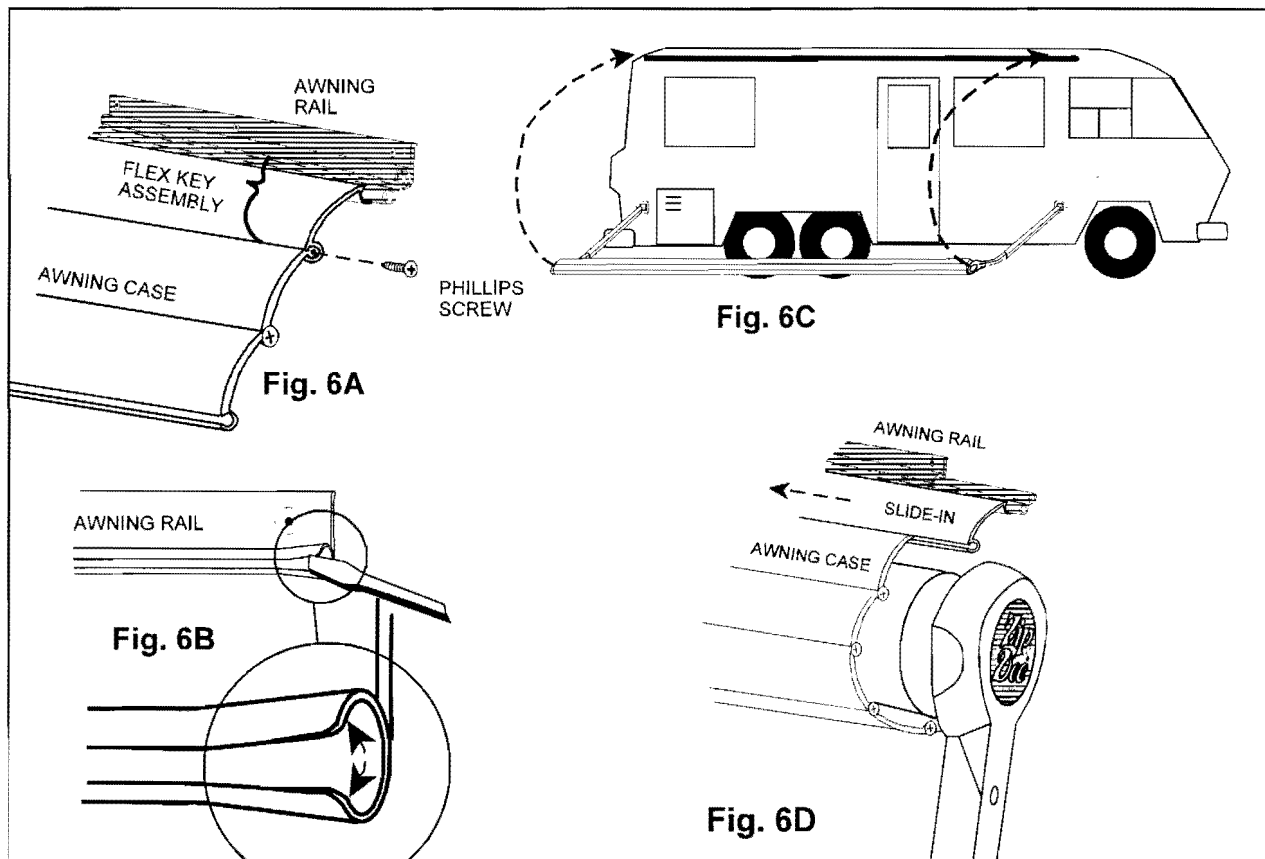


Fig. 6

Lock Flex Key Assembly to case by replacing screw removed earlier (**Fig. 6A**).

Holding the main arms to control the speed, gently allow the awning to open.

Attach rafter arm assembly to each clamp (see **Fig. 1**).

Step 8. WIND THE SPRING

NOTE: This important step puts tension on the torsion spring of the awning. There is only one spring, located at the rear end of the awning. The winding procedure uses the main arm bar as a lever, since the spring is connected to the bar through the roller shaft and head casting.

A. Support awning roller with the help of an assistant (**Fig. 7**).

B. Disconnect rear main arm from main hinge. Pull outward on snap stud and slide tube portion off from bar (to shorten arm for winding). D. Stand at rear of awning facing front of vehicle, grasp main arm bar and wind the spring clockwise one turn for every foot of awning length. Example: 20 ft. awning = 20 turns. (Opening the awning initially puts about 9 turns on the spring, so final torque will be greater than shown).

WARNING: The spring is now under tension. **Never disconnect the bar from the head casting.** The weight of the bar is enough to counterbalance the spring tension. Use of any other winding device could be dangerous if not controlled, resulting in personal injury or property damage.

E. After winding, slip the main arm tube back onto the bar and reconnect it to the main hinge on the vehicle and test the tension (see note below).

IMPORTANT ADJUSTMENT: Adjust the spring tension by winding clockwise to increase tension or counter-clockwise to decrease tension so that the open awning will not start to roll up until given a rolling start by hand of about 12 inches. This will eliminate the need to lock the awning open.

Use the pull strap to control speed and direction of the roller and spiral the strap to prevent cloth build-up (**Fig. 8**). Release the strap when the roller is about 14 inches from the coach, allowing the awning to snap closed.

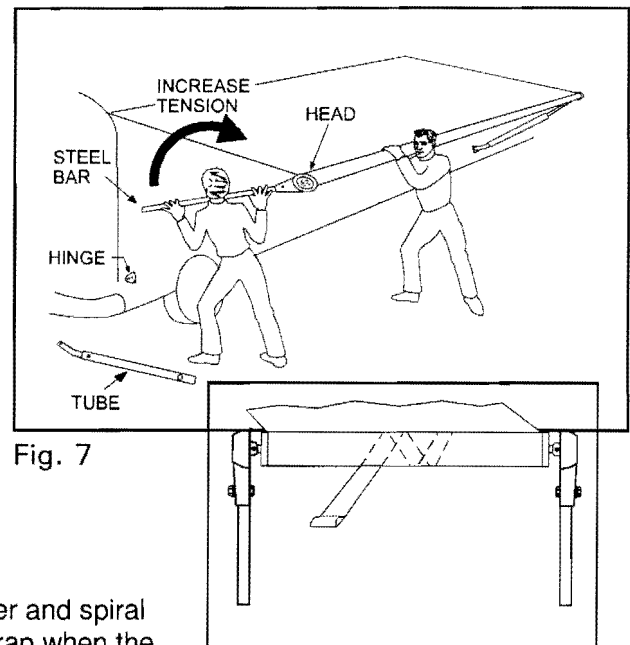


Fig. 7

Fig. 8

Step 9. Final Check out

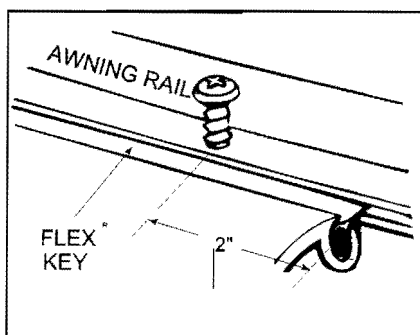


Fig. 9

Check and tighten all nuts and bolts. Close the awnings and align the arms and fabric so that the arms are square and parallel and the fabric is centered on the roller. Refer to operation instructions in Owner's Manual and operate awning to insure all parts function smoothly and properly.

Step 10. Secure Awning Case

To prevent shifting, drill a 1/8" hole 2" from each end of the awning rail and Flex Key. Secure Flex Key to awning rail using 3/8" sheet metal screws provided (**Fig. 9**).

Step 11. Install Travel Latch

Install Travel Latch per instructions included with the latch. Travel Latch provides protection from billowing while traveling.

GM1_07_03